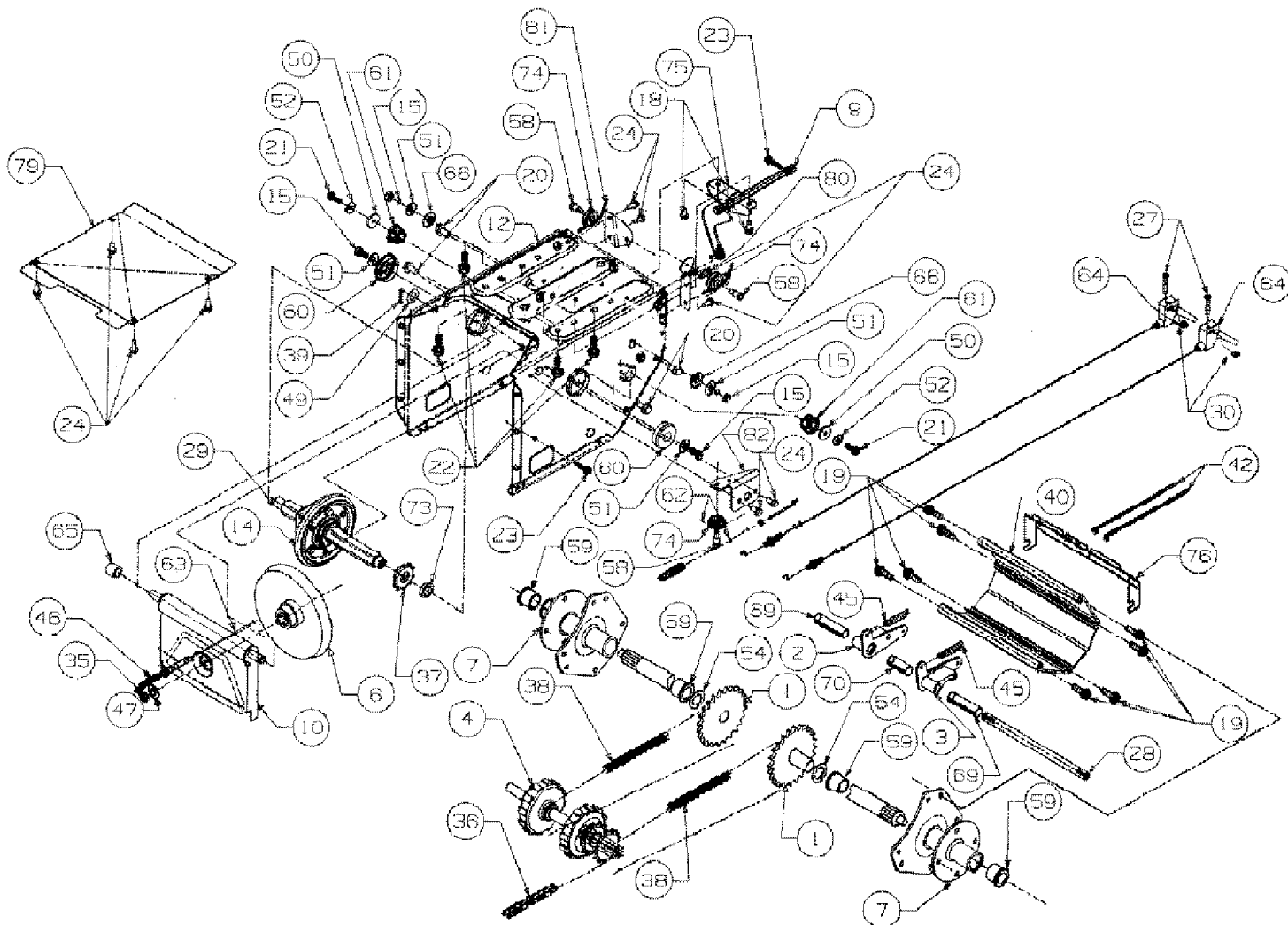


317E753F190 Snow Boss 950 ST (1997)
Axle Ass'y, Frame, Bracket Ass'y And Labels



317E753F190 Snow Boss 950 ST (1997)
Axle Ass'y, Frame, Bracket Ass'y And Labels

Page 2 of 14

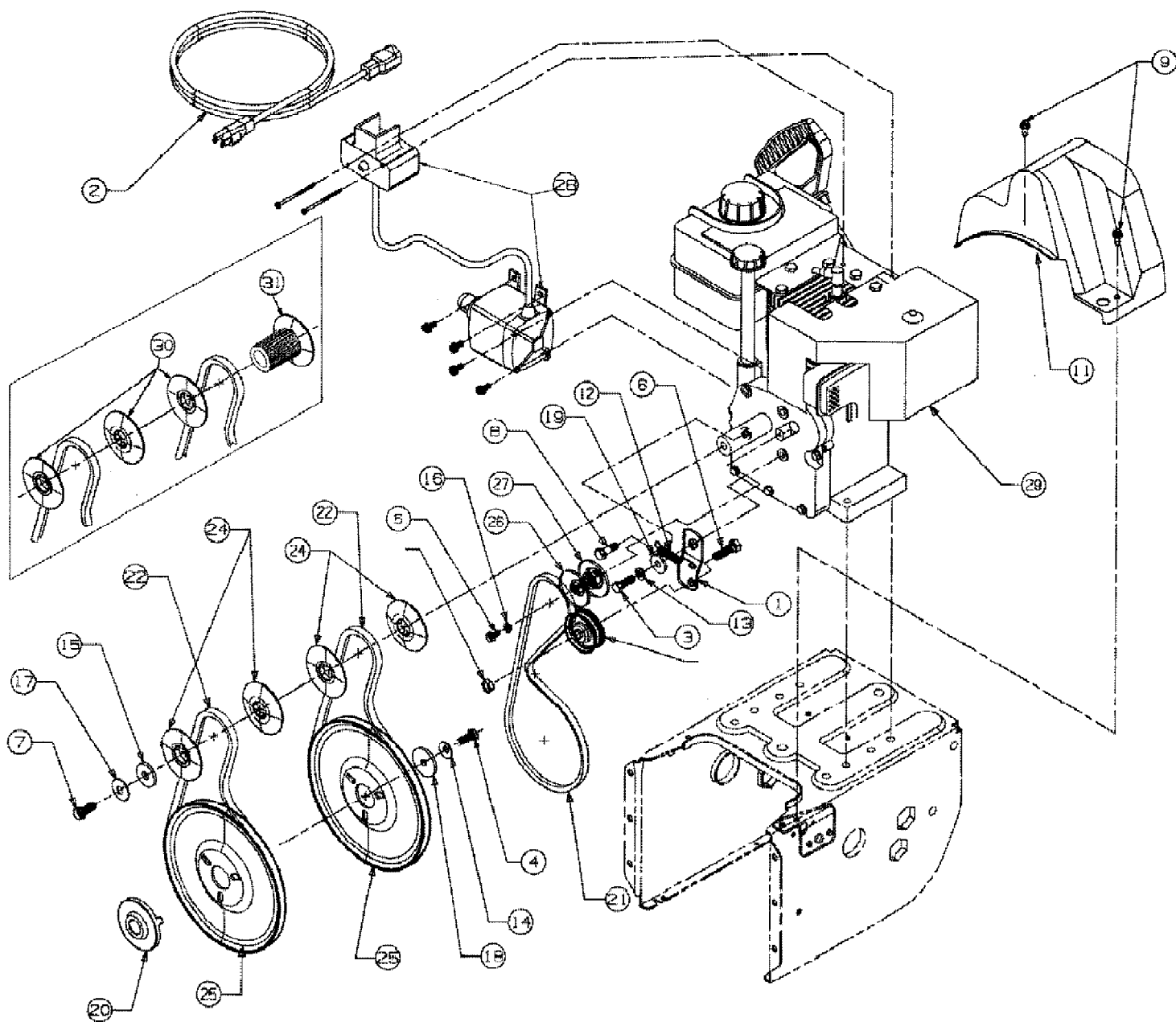
Ref #	Part Number	Qty	S/P/F	Description
1	611-0053	2		Axle Assembly
2	618-0043	1		Dog Assembly-R.H.
3	618-0044	1		Dog Assembly-L.H.
4	618-0169	1	S	Shaft Assembly
6	656-0012A	1	S	Disc Assembly
7	683-0024	2	S	Hub Assembly
9	684-0014A	1	S	Rod Shift Assembly
10	684-0021	1	S	Bracket Assembly
12	684-0031-0662	1	S	Frame Assembly
14	684-0042A	1	S	Wheel Assembly Friction
	735-0243	1	S	Rubber Only
15	710-0118	4	S	Screw
18	710-0599	2	/P	Screw
19	710-0602	8	/P	Screw
20	710-0604	6	S	Screw
21	710-0642	2	/P	Screw
22	710-0654A	4	/P	Screw
23	710-0788	2	/P	Screw
24	710-0896	10	/P	Screw
27	710-1233	2	/P	Screw
28	711-0911	1		Shaft
29	711-1042	1		Shaft
30	712-0127	2	/P	Nut Flange
35	712-0711	1	/P	Nut Jam
36	713-0233	1	/P	Chain
37	713-0413	1		Sprocket
38	713-0437	2		Chain
39	714-0474	1	S	Pin Cotter
40	719-0295A	1	/P	Housing Track
42	725-0157	2	/P	Cable Tie
45	732-0209	2	S	Spring
46	732-0264	1	S	Spring
47	736-0105	1	/P	Washer-Bell
49	736-0160	1	S	Washer-Flat
50	736-0176	2	S	Washer-Flat
51	736-0242	5	/P	Washer-Bell
52	736-0270	2	/P	Washer-Bell
54	736-0287	4	S	Washer-Flat
58	738-0924	3	S	Screw-Shoulder
59	741-0339	4	S	Bearing-Flange
60	741-0563	2	S	Bearing-Ball
61	741-0597	2	S	Bearing-Hex Flange
62	746-0897A	1	S	Cable-Auger Clutch
63	746-0898A	1	S	Cable-Drive Clutch
64	746-0900	2	S	Cable with Trigger Lever
65	748-0190	1	/P	Spacer
66	748-0234	2	/P	Spacer-Shoulder
69	750-0903	2	S	Spacer-Split
70	750-0904	1		Spacer-Split
73	750-0997	1	S	Spacer
74	756-0625	3		Roller-Cable
75	784-5590	1		Bracket
76	784-5609-0662	1		Bracket

317E753F190 Snow Boss 950 ST (1997)
Axle Ass'y, Frame, Bracket Ass'y And Labels

Page 3 of 14

Ref #	Part Number	Qty	S/P/F	Description
79	784-5648-0662	1		Cover-Frame
80	784-5687-0662	1	S	Bracket-Guide
81	784-5688-0662	1	S	Bracket-Guide
82	784-5689-0662	1	S	Bracket-Guide
	777-4337	1		Label-Auger Housing (Snow Boss 750)
	777-4338	1		Label-Auger Housing (Snow Boss 950)
	777-4345	1		Label-Handle Panel

317E753F190 Snow Boss 950 ST (1997)
Belts And Pulleys



317E753F190 Snow Boss 950 ST (1997)
Belts And Pulleys

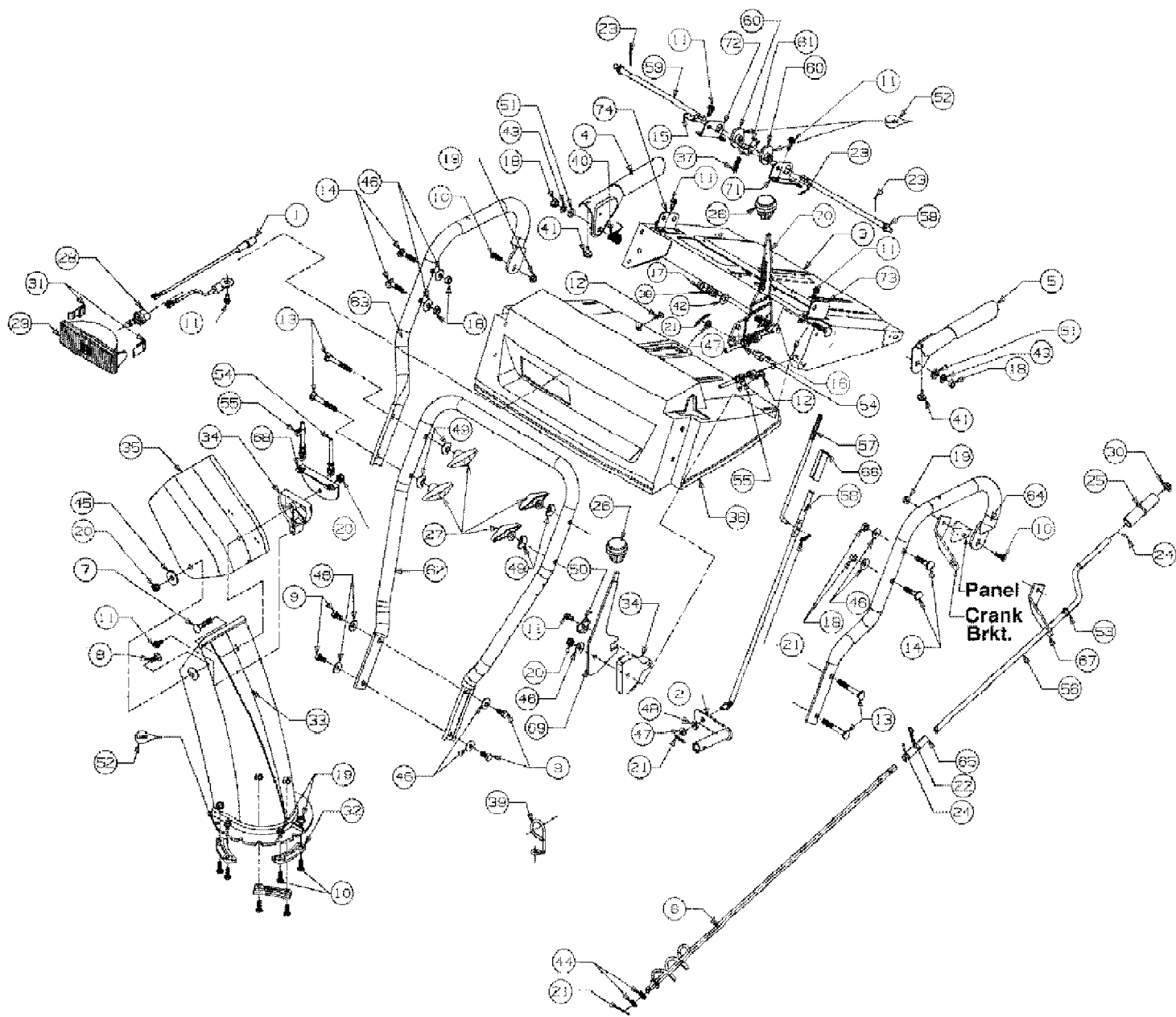
Page 5 of 14

Ref #	Part Number	Qty	S/P/F	Description
1	05896A	1		Bracket
2	629-0071	1	S	Cord, Extension
3	710-0117	1	S	Screw
4	710-0157	1	/P	Screw
5	710-0230	1	/P	Screw
6	710-0342	1	S	Screw
7	710-0696	1	/P	Screw
8	710-0888	1	/P	Screw
9	710-0896	2	/P	Screw
?10	712-0181	1	S	Nut, Hex
11	731-1324	1		Belt Cover
12	732-0710	1	S	Spring
13	736-0119	1	S	Washer-Lock
14	736-0242	1	/P	Washer-Bell
15	736-0247	1	/P	Flat Washer
16	736-0329	1	S	Washer-Lock
17	736-0331	1	/P	Washer
18	736-0505	1		Washer
19	748-0234	1	/P	Shoulder Spacer
20	748-0360	1	S	Pulley Adapter
21	754-0346	1	S	V-Belt
22	754-0430	2	S	V-Belt
?23	756-0313	1	/P	Idler, Flat
24	756-0569	4		Pulley, Half (753F)
25	756-0967	2		Pulley Auger
26	756-0986	1		Pulley, Half
27	756-0987	1	S	Pulley, Half
28	390-987-000	1	S	Starter (753F)
	390-985-000	1		Starter (733E)
29		1		Engine
30	756-0620	3		Pulley, Half (733E)
31	756-0621	1	S	Pulley, Half (733E)

317E753F190 Snow Boss 950 ST (1997)
Carrier Ass'y, Wheel Ass'y Friction And Labels

Page 7 of 14

Ref #	Part Number	Qty	S/P/F	Description
5	631-0032	2	/P	Wheel Assembly Idler
8	684-0009	1		Rod Track Pivot
11	684-0024	1	S	Axle Assembly
13	684-0038	1	S	Handle Assembly
16	710-0157	1	/P	Screw
17	710-0459	1	S	Screw
20	710-0604	6	S	Screw
26	710-1231	2		Screw
31	712-0214	1	S	Nut Lock
32	712-0267	4	S	Nut Hex
33	712-0346	4	S	Nut Jam
34	712-0429	2	S	Nut Hex
41	720-0223	1		Grip
43	731-1292	2		Track
44	731-1538	2	S	Wheel-Track Drive
48	736-0119	4	S	Washer-Lock
51	736-0242	5	/P	Washer-Bell
53	736-0272	4	S	Washer-Flat
55	736-0406	4	S	Washer-Flat
56	737-0170	1		Lubricant
57	738-0140	4	S	Screw-Shoulder
67	748-0353A	1		Lift-Shaft Drive
68	750-0547	2		Spacer
71	750-0909	2		Spacer
72	750-0995	2		Spacer
77	784-5639-0662	2		Plate-Track Side
78	784-5642	1		Plate-Track Lockout
83	717-1211	2	S	Gear Ring
84	717-1209	6	S	Gear 12-Tooth
85	717-1210	2	S	Gear 18-Tooth
86	741-0542	6		Pin Dowel
87	718-0188	2	S	Carrier
88	618-0046	2	S	Carrier Assembly
89	711-0912	1		Shaft-Track Drive
90	713-0414	1		Sprocket-13 Tooth
91	715-0120	1	S	Spring Pin 3/16" Dia. x 1" Lg.
92	736-0502	6	S	Fl-Wash. .57" I.D. x 1.12" O.D.
93	736-0336	2	S	Fl-Wash. 5/8" I.D. x 1" O.D.
94	716-0115	2	S	Snap Ring .625" Shaft
95	716-0114	1	S	Snap Ring .56" Shaft
	777-4337	1		Label-Auger Housing (Snow Boss 750)
	777-4338	1		Label-Auger Housing (Snow Boss 950)
	777-4345	1		Label-Handle Panel



317E753F190 Snow Boss 950 ST (1997)
Handle And Panel Ass'y

Page 9 of 14

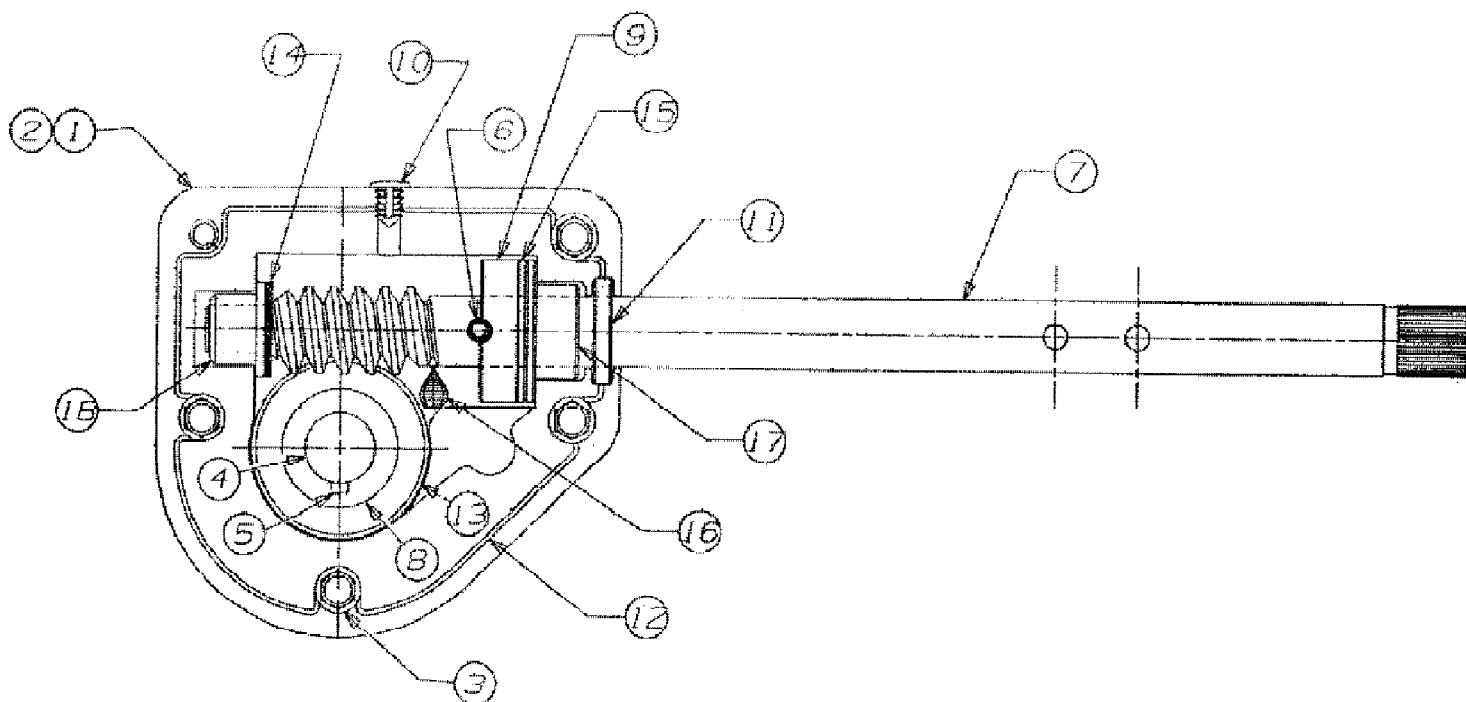
Ref #	Part Number	Qty	S/P/F	Description
1	629-0059	1	S	Harness-Light
2	684-0008-0637	1	S	Arm-Shift
3	684-0032A	1		Panel Ass'y. - Handle w/Tilt
4	684-0036	1	S	Handle-Engagement - R.H.
5	684-0037	1	S	Handle-Engagement - L.H.
6	684-0053	1	S	Crank-Chute
7	710-0262	1	/P	Bolt-Carriage
8	710-0451	1	/P	Bolt-Carriage
9	710-0118	4	S	Screw-Hex
10	710-3015	8	/P	Screw-Hex
11	710-0896	7	/P	Screw-Washer Head-Hex
12	710-1003	2	/P	Screw-Hex
13	710-1178	4	/P	Bolt-Carriage
14	710-1250	4	/P	Bolt-Carriage
15	711-0653	1	/P	Pin-Clevis
16	711-0677	1	S	Ferrule
17	712-0116	1	S	Nut-Hex Lock
18	712-0267	6	S	Nut-Hex
19	712-3027	8	S	Nut-Hex Lock
20	712-3068	3	S	Nut-Hex Lock
21	714-0104	4	S	Pin-Cotter Internal
22	714-0145	1	S	Pin-Cotter
23		1		UNKNOWN
24	715-0138	2	S	Pin-Roll
25	720-0201A	1	/P	Knob-Chute Crank
26	720-0232	2	S	Knob-Shift
27	720-0284	4	S	Knob-Wing Nut
28	725-1658	1	S	Lamp
29	725-1672	1	S	Housing-Lamp
30	726-0100	1	S	Cap-Push
31	726-0321A	2	S	Clip-Retaining
32	731-0851A	3	/P	Keeper-Chute
33	731-1300A	1	S	Chute-Lower
34	731-1313	2	S	Guide-Cable
35	731-1320	1	S	Chute-Upper
36	731-1737	1	S	Panel-Handle
37	732-0145	1	/P	Spring
38	732-0193	1	/P	Spring
39	732-0705	1		Wire-Control
40	732-0746	1		Spring
41	735-0199A	2	S	Bumper
42	736-0105	1	/P	Washer-Bell
43	736-0119	2	S	Washer-Lock
44	736-0140	2	S	Washer-Flat
45	736-0231	1	S	Washer
46	736-0242	9	/P	Washer-Bell
47	736-0264	2	S	Washer-Flat
48	736-0271	1	S	Washer-Lock
49	736-0451	4	S	Washer-Saddle
50	736-0506	1	S	Washer
51	736-0509	2		Washer
52	737-0133	1	S	Lubricant
53	741-0475	1	S	Bushing-Plastic

317E753F190 Snow Boss 950 ST (1997)
Handle And Panel Ass'y

Page 10 of 14

Ref #	Part Number	Qty	S/P/F	Description
54	746-0896	1	S	Cable-Chute Control
55	746-0901	1	S	Cable-Chute Control
56	747-0618	1	S	Crank-Chute
57	747-0620A	1	/P	Rod-Shift Upper
58	747-0621	1		Rod-Shift Lower
59	747-0877	2		Rod-Cam
60	748-0362	2		Cam-Handle Lock
61	748-0363	1	S	Pawl-Handle Lock
62	749-0951-0637	1	S	Handle-Lower
63	749-0954-0637	1	/P	Handle - R.H.
64	749-0955-0637	1	/P	Handle - L.H.
65	750-0785	1	S	Spacer
66	750-0963	1	S	Connector
67	784-0309	1	S	Bracket
68	784-5594	1		Bracket-Cable
69	784-5604	1	S	Handle-Chute Tilt
70	784-5619	1	S	Handle-Shift
71	784-5679	1	S	Bracket-Handle Support - L.H.
72	784-5680	1	S	Bracket-Handle Support - R.H.
73	784-5681	1	/P	Bracket-Handle Support - L.H.
74	784-5682	1	S	Bracket-Handle Support - R.H.

317E753F190 Snow Boss 950 ST (1997)
Housing And Shaft Worm

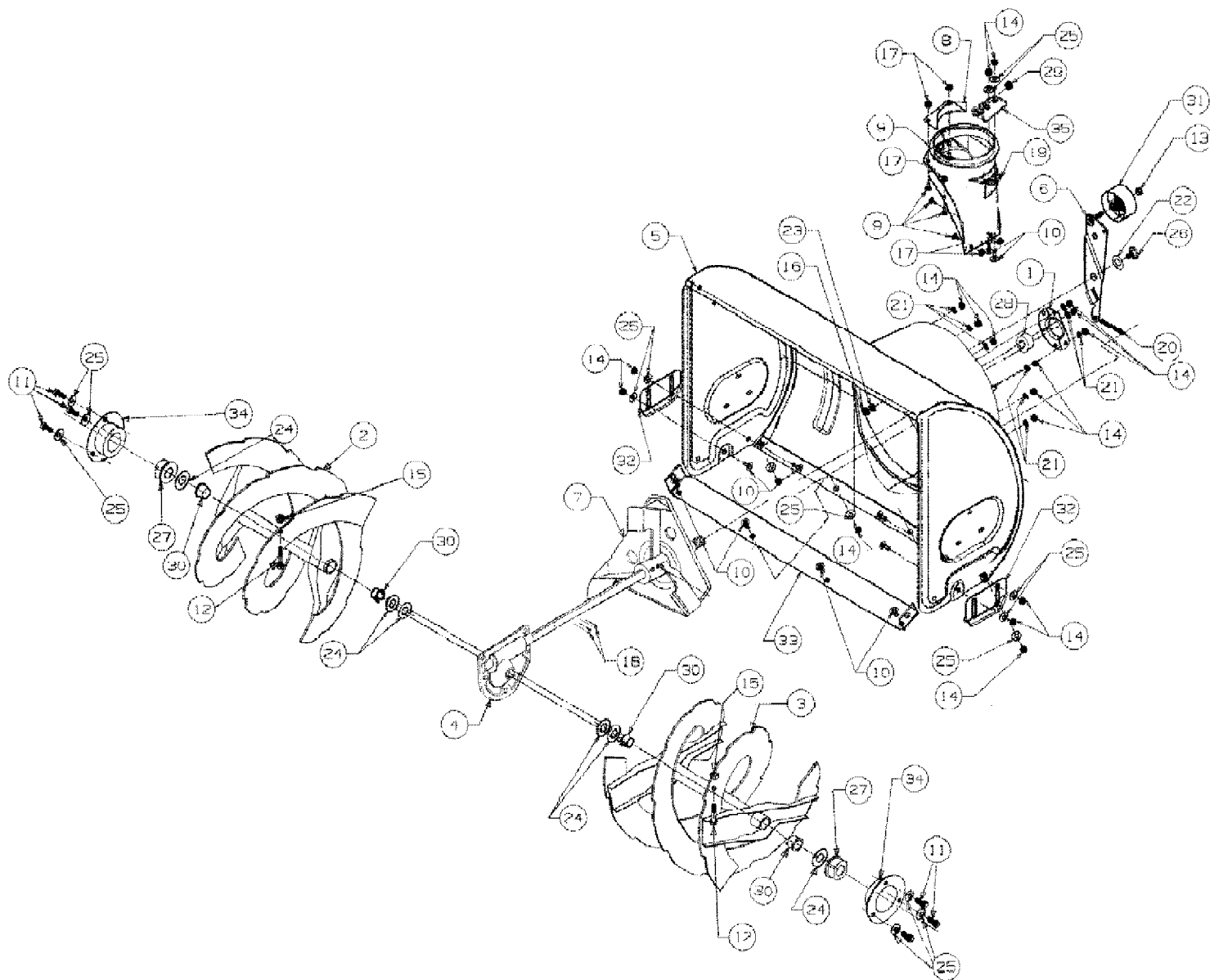


317E753F190 Snow Boss 950 ST (1997)
Housing And Shaft Worm

Page 12 of 14

Ref #	Part Number	Qty	S/P/F	Description
1	618-0123	1	S	Housing-R.H.
2	618-0124	1	S	Housing-L.H.
3	710-0642	5	/P	Screw
4	711-0909	1	S	Axle, Spiral 26" (753F)
	711-0908	1	S	Axle, Spiral 24" (733E)
5	714-0161	1	S	Key, Hi-Pro
6	715-0143	1	S	Pin, Spiral
7	717-0526	1		Worm, Shaft
8	717-0528	1	S	Gear, Worm
9	718-0186	1		Collar, Thrust
10	721-0325	1		Plug
11	721-0327	1		Seal, Oil
12	721-0328	1		Loctite 5699, Ultra
13	736-0351	2	S	Washer
14	736-0369	4	S	Washer
15	736-0445	1	S	Washer
16	737-0168	1	S	Grease
17	741-0662	1		Bearing Flange
18	741-0663	1		Bearing Flange

317E753F190 Snow Boss 950 ST (1997)
Spiral Ass'y, Housing Ass'y And Gear Assembly



317E753F190 Snow Boss 950 ST (1997)
Spiral Ass'y, Housing Ass'y And Gear Assembly

Page 14 of 14

Ref #	Part Number	Qty	S/P/F	Description
1	05931	1	S	Housing-Bearing
2	605-5189	1	S	Spiral Assembly - L.H. 24"
	605-5193-0662	1	S	Spiral Assembly - L.H. 26"
3	605-5188	1	S	Spiral Assembly - R.H. 24"
	605-5192-0662	1	S	Spiral Assembly - R.H. 26"
4	618-0120	1	S	Gear Assembly 24"
	618-0121	1	S	Gear Assembly 28"
5	684-0039A-0662	1	S	Housing Assembly 24"
	684-0040A	1	S	Housing Assembly 28"
6	684-0064	1	S	Arm-Idler Assembly
7	684-0065-0662	1	S	Impeller Assembly
8	705-5226	1		Reinforcement-Chute
9	710-0167	5	/P	Screw-Carriage
10	710-0451	10	/P	Screw-Carriage
11	710-0604	6	S	Screw-Hex
12	710-0890	2	S	Shear Bolt
13	712-0116	1	S	Nut-Hex Lock
14	712-0267	19	S	Nut-Hex
15	712-0429	2	S	Nut-Hex
16	712-0798	1	/P	Nut-Hex
17	712-3027	5	S	Nut-Hex Lock
18	715-0114	2	S	Pin-Spring
19	731-1379	1	S	Adapter-Chute
20	732-0611	1	S	Spring
21	736-0119	9	S	Washer-Lock
22	736-0167	1	S	Washer-Flat
23	736-0169	1	S	Washer-Lock
24	736-0188	6	/P	Washer-Flat
25	736-0242	16	/P	Washer-Bell
26	738-0281	1	S	Screw-Shoulder
27	741-0245	2	S	Bearing-Flange
28	741-0309	1	S	Bearing-Ball
29	741-0475	1	S	Bushing-Plastic
30	741-0493A	4	/P	Bushing-Flange
31	756-0178	1		Idler-Flat
32	784-5580-0662	2	S	Shoe-Slide
33	784-5581A-0662	1	S	Shave Plate 24"
	784-5579A-0662	1		Shave Plate 26"
34	784-5618	2	S	Housing-Bearing
35	784-5647	1	S	Bracket-Chute Crank